

8. ДЕКЛАРАЦИИ СООТВЕТСТВИЯ

ДЕКЛАРАЦИИ СООТВЕТСТВИЯ

STATUS ITALIA S.R.L. заявляет, что изделие торговой марки STATUS:
Миксер MX1600CE изготовлен в соответствии со следующими директивами
и стандартами: 2014/30/EU, 2006/42/EC,
EN 55014-1:2006/A2:2011, EN 55014-2:2005,
EN 61000-3-2:2014, EN 6100-3-3:2013,
EN 60745-1:2009/A11:2010, EN ISO 12100:2010,
AfPS GS 2014:01 PAK

Техническая документация хранится у производителя: STATUS ITALIA S.R.L.,
виа Альдо Моро, 14/A, 36060 - Пьянецце (VI), Италия



Карон Джиасинто
Директор
STATUS ITALIA S.R.L.

Изделие соответствует требованиям следующих технических регламентов
Таможенного Союза: TP TC 004/2011, TP TC 010/2011, TP TC 020/2011.
Информация о сертификате находится на сайте www.status-tools.com.
Изготовитель: «СТАТУС ИТАЛИЯ С.р.л.». Виа Альдо Моро, 14/A,
36060 Пьянецце, Италия. Сделано в КНР.
Представитель в России: ООО «ИНСТАТУС»
105005, г. Москва, ул. Бауманская, д.7



STATUS®

ENG

HAND MIXER

Original instructions

DE

RÜHRER

Originalbetriebsanleitung

IT

MISCELATORE

Istruzioni originali

BG

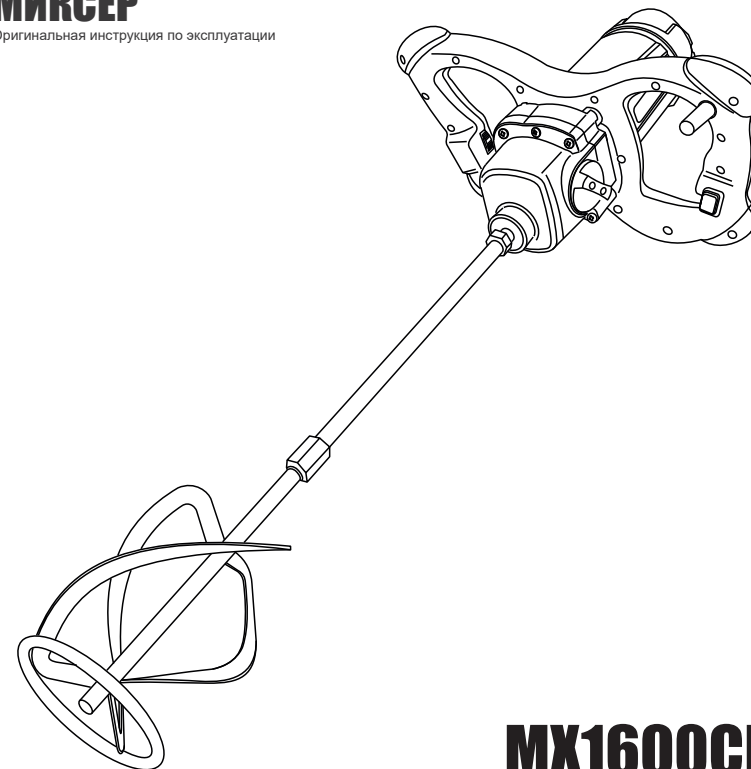
ЕЛЕКТРИЧЕСКА БЪРКАЛКА

Оригинална инструкция за използване

RU

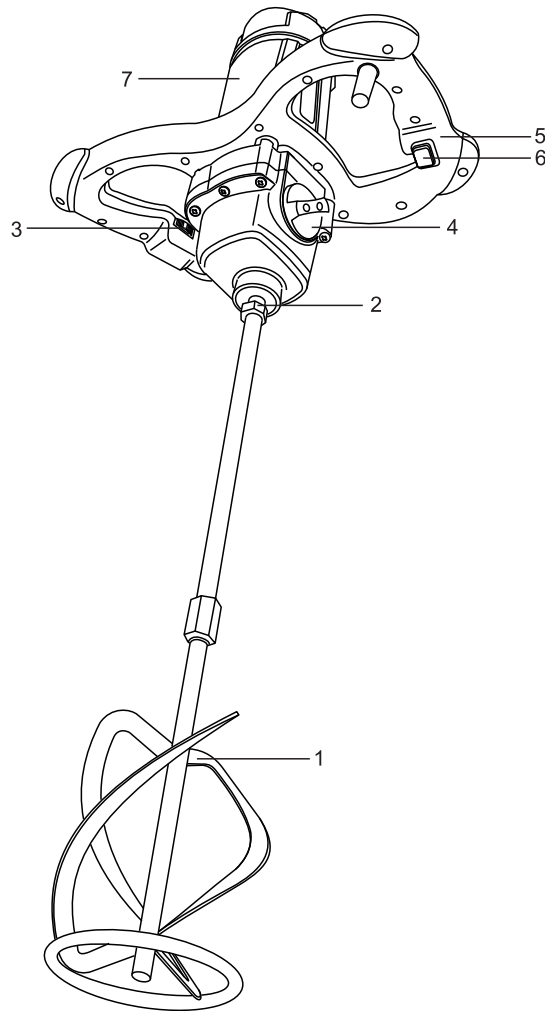
МИКСЕР

Оригинальная инструкция по эксплуатации



MX1600CE



A


INTENDED USE

The mixer is a electrical power mixer, which fitted with double count-rotating mixing tool (single mixing tools also available). It is used for mixing building materials and chemical materials, for mixing even heavy materials quickly and thoroughly, especially for the difficult mixing materials, such as high density mortar, dried building materials, tow or more kinds mixed materials. Different mixing tools are available for the mixer, and different I II speed meet the demand of different materials mixing.

SAFETY ADVICE

WARNING!

Read all instructions carefully. Failure to follow all instructions listed below may result in electric shock, fire and/or serious injury.

SAVE THESE INSTRUCTIONS
1) WORK AREA

- Keep work area clean and well lit.
Cluttered and dark areas incite accidents.
- Do not operate power tools in explosive atmospheres, such as in the presence of flammable liquids, gases or dust.
Power tools create sparks which may ignite the dust or fumes.
- Keep children and bystanders away while operating a power tool.
Distractions can cause you to lose control.

2) ELECTRICAL SAFETY

- Hold the power tool by insulated gripping surfaces only, when performing an operation where the cutting accessory may contact hidden wiring or its own cord.
Cutting accessory contacting a "live" wire may make exposed metal parts of the power tool "live" and could give the operator an electric shock.
- Power tool plugs must match the outlet. Never modify the plug in any way.
Do not use any adapter plugs with earthed (grounded) power tools.
Unmodified plugs and matching outlets will reduce risk of electric shock.
- Avoid body contact with earthed or grounded surfaces such as pipes, radiators, ranges and refrigerators. There is an increased risk of electric shock if your body is earthed or grounded.
- Do not expose power tools to rain or wet conditions.
Water entering a power tool will increase the risk of electric shock.
- Do not abuse the cord. Never use the cord for carrying, pulling or unplugging the power tool. Keep cord away from heat, oil, sharp edges or moving parts.
Damaged or entangled cords increase the risk of electric shock.
- When operating a power tool outdoors, use an extension cord suitable for outdoor use. Use of a cord suitable for outdoor use reduces the risk of electric shock.
- Connect the electric power tool to electricity, using a 16/25 A maximum secure contact protected outlet (220/240V~, 50/60 Hz). We recommend you to attach a residual current circuit-breaker (RCD) that does not exceed 30mA.

2. SAFETY ADVICE

3) PERSONAL SAFETY

- Stay alert, watch what you are doing and use common sense when operating a power tool. Do not use a power tool while you are tired or under the influence of drugs, alcohol or medication. A moment of inattention while operating power tools may result in serious personal injury.
- Use safety equipment. Always wear eye protection. Safety equipment such as dust mask, non-skid safety shoes, hard hat, or hearing protection used for appropriate conditions will reduce personal injuries.
- Avoid accidental starting. Ensure the switch is in the off position before plugging in. Carrying power tools with your finger on the switch or plugging in power tools that have the switch on invites accidents.
- Remove any adjusting key or wrench before turning the power tool on. A wrench or a key left attached to a rotating part of the power tool may result in personal injury.
- Do not overreach. Keep proper footing and balance at all times. This enables better control of the power tool in unexpected situations.
- Dress properly. Do not wear loose clothing or jewellery. Keep your hair, clothing and gloves away from moving parts. Loose clothes, jewellery or long hair can be caught in moving parts.
- If devices are provided for the connection of dust extraction and collection facilities, ensure these are connected and properly used. Use of these devices can reduce dust related hazards.

4) POWER TOOL USE AND CARE

- Do not force the power tool. Use the correct power tool for your application. The correct power tool will do the job better and safer at the rate for which it
- Do not use the power tool if the switch does not turn it on and off. Any power tool that cannot be controlled with the switch is dangerous and must be repaired.
- Disconnect the plug from the power source before making any adjustments, changing accessories, or storing power tools. Such preventive safety measures reduce the risk of starting the power tool accidentally.
- Store idle power tools out of the reach of children and do not allow persons unfamiliar with the power tool or these instructions to operate the power tool. Power tools are dangerous in the hands of untrained users.
- Maintain power tools. Check for misalignment or binding of moving parts, breakage of parts and any other condition that may affect the power tools operation. If damaged, have the power tool repaired before use. Many accidents are caused by poorly maintained power tools.
- Keep cutting tools sharp and clean. Properly maintained cutting tools with sharp cutting edges are less likely to bind and easier to control.

2. SAFETY ADVICE

- Use the power tool, accessories and tool bits etc., in accordance with these instructions and in the manner intended for the particular type of power tool, taking into account the working conditions and the work to be performed. Use of the power tool for operations different from intended could result in a hazardous situation.

5) SERVICE

- Have your power tool serviced by a qualified repair person using only identical replacement parts. This will ensure that the safety of the power tool is maintained.

MIXER SAFETY WARNINGS

During operation provide eye protection to prevent eyes from exposure to flying particles. Wear goggles.

Take protective measures against inhalation of dust. Some materials can contain toxic ingredients.

- Use of protective gloves is recommended.

WARNING: Before connecting a tool to a power source be sure that the voltage supply is the same as that specified on the nameplate of the tool.

- A power source with a voltage greater than that specified for the tool can result in serious injury to the user, as well as damage to the tool.
- If in doubt, do not plug in the tool.
- Using a power source with a voltage less than the nameplate rating is harmful to the motor.
- Fully unwind cable drum extensions to avoid potential overheating.
- When an extension cable is required, you must ensure that it has the right ampere rating for your power tool and it is in safe electrical condition.

WARNING: Always switch off and unplug the power tool prior to any adjustment, servicing or maintenance or in case of mains drop-out.

- Never switch on the machine under load and leave it down only after final arrest.
- When working with the machine, always hold it firmly with both hands and provide for a secure stance.
- Keep the power tool away from your body and keep your hands away from rotating parts of the machine.
- In case the power tool should fall into the material to be stirred, pull the plug immediately and have the power tool checked by an aftersales service agent. Material that has penetrated the power tool can cause damage and lead to an electric shock.
- During operation in a dusty environment keep the ventilation slots clean. If cleaning is necessary, first switch the supply off and use nonmetal objects to clean the vents, taking care not to damage the internal machine parts.
- Always keep the cord away from the working area of the power tool.
- Never use the machine with a damaged cable. Do not touch the damaged cable and pull the mains plug when the cable is damaged while operating.

3. KNOW YOUR PRODUCT

4. OPERATION

- The tool must be used only for its prescribed purpose. Any use other than those mentioned in this Manual will be considered a case of misuse. The user and not the manufacturer shall be liable for any damage or injury resulting from such cases of misuse.
- To use this tool properly, you must observe the safety regulations, the assembly instructions and the operating instructions found in this Manual. All persons who use and service the machine have to be acquainted with this Manual and must be informed about its potential hazards. Children and frail people must not use this tool. Children should be supervised at all times if they are in the area in which the tool is being used. It is also imperative that you observe the accident prevention regulations in force in your area. The same applies for general rules of occupational health and safety.
- The manufacturer shall not be liable for any changes made to the tool nor for any damage resulting from such changes.
- Power tools must not be used outdoors in rainy weather, or in moist environment (after rain) or in close vicinity with easily flammable liquids and gases. The working place should be well lit.

KNOW YOUR PRODUCT

Before using the power tool, familiarize yourself with all the operating features and safety requirements. Use the tool and accessories only for the applications intended. All other applications are expressly ruled out.

1. Mixing paddle
2. M14 tool connection shaft
3. Electronic regulator of rotation speed
4. Speed selector switch
5. Lock-on button
6. ON/OFF switch
7. Motor housing

OPERATION

This power tool is supplied from single-phase alternating current mains only. It is double insulated according to EN 60745-1 and IEC 60745 and can be connected to grounded or not grounded sockets.

This power tool is radio suppressed in compliance with EMC Directive.

This power tool is designed for:

- Operation in industry and household;
- Mixing low-viscosity emulsions and viscous materials, for example: paints, lacquer, adhesives, mortar, etc.;
- Operation with mixing paddles and accessories specified here or recommended by the manufacturer.

5. MAINTENANCE

PRIOR TO INITIAL OPERATION

- Make sure the power supply voltage corresponds to the value indicated on the name plate with technical data of the tool.
- Always check the position of ON/OFF switch. The power tool must be connected and disconnected to the power supply socket only when this switch is in OFF position. If the plug is connected to a receptacle while the power switch is in the ON position, the power tool will start operating immediately, which could cause a serious accident.
- Make sure that the cord and the plug are in order. If the replacement of the supply cord is necessary, this has to be done by the manufacturer or his agent in order to avoid a safety hazard.
- Check the power tool and the mixing paddle for faults, unbalanced paddle and vibrations. Perform a trial test.

WARNING: Always switch off and unplug the power tool prior to any adjustment, servicing or maintenance or in case of mains drop-out.

SWITCHING ON - SWITCHING OFF

Brief activation

Switching on: press ON/OFF switch (6).

Switching off: release ON/OFF switch (6).

Continuous use

Switching on: press ON/OFF switch (6) and in pressed position lock it by button (5).

Switching off: press ON/OFF switch (6) once and release it immediately.

ELECTRONIC RPM CONTROL

Light pressure on ON/OFF switch (6) results in low rotation speed, further pressing the switch results in smooth increase of the rpm to maximum upon reaching the extreme position.

MECHANICAL SPEED REGULATOR

Two RPM ranges can be pre - selected with the speed selector switch (4):

Gear 1 180-400 /min

Gear 2 300-700 /min

The necessary speed depends on the type of the material mixed and it is recommended to verify it by a practical test.

MAINTENANCE

GENERAL INSPECTION

Regularly inspect all fasteners and ensure they are properly tightened.

Should any of the screws be loose, retighten it immediately to avoid hazards.

If the replacement of the supply cord is necessary, this has to be done by the manufacturer or his agent in order to avoid a safety hazard.

CLEANING

For safe operation always keep the machine and its ventilation slots clean.

Regularly check to see if any dust or foreign matter has entered the ventilation slots and the grills around the switches. Use a soft brush and/ or air jet to remove any accumulated dust.

6. TECHNICAL DATA

7. CE DECLARATION OF CONFORMITY

Wear safety glasses to protect your eyes whilst cleaning.
Exterior plastic parts may be cleaned with a damp cloth and mild detergent if necessary.

WARNING: Never use alcohol, petrol or other cleaning agent. Never use caustic agents to clean plastic parts.

WARNING: Water must never come into contact with the tool.

TECHNICAL DATA

Model	MX1600CE
Voltage	220-240V ~50Hz
Input power	1600W
No load speed	180-400/300-700 RPM
Thread for fixing the Tool	M14x2
Mixing paddle	135 mm
Weight	5,4 kg

Noise emission (according to EN 60745)

Sound pressure level	$L_{pA} - 87,6 \text{ dB(A)}$, $K_{pA} - 3 \text{ dB}$
Sound power level	$L_{wA} - 98,6 \text{ dB(A)}$, $K_{wA} - 3 \text{ dB}$

Vibration emission

Vibration emission value	$a_h - 5,187 \text{ m/s}^2$
Uncertainty	$K - 1.5 \text{ m/s}^2$

ACCESSORIES

Mixer MX1600CE, spanner, mixing tool, manual, packing.

CE DECLARATION OF CONFORMITY

We STATUS ITALIA S.R.L. as the responsible manufacturer declare that the following STATUS machine(s):

Hand mixer Model No./ Type: MX1600CE are of series production and conforms to the following European Directives:
2014/30/EU, 2006/42/EC.

And are manufactured in accordance with the following standards or standardised documents: EN 55014-1:2006/A2:2011, EN 55014-2:2005,
EN 61000-3-2:2014, EN 6100-3-3:2013,
EN 60745-1:2009/A11:2010, EN ISO 12100:2010,
AfPS GS 2014:01 PAK

The technical documentation kept by the manufacturer: STATUS ITALIA S.R.L.,
via Aldo Moro, 14/A, 36060 - Pianezze (VI), ITALY

Caron Giacinto
Director
STATUS ITALIA S.R.L.

1. ALLGEMEINE SICHERHEITSHINWEISE

ALLGEMEINE SICHERHEITSHINWEISE

WARNUNG: Lesen Sie alle Sicherheitshinweise und Anweisungen. Versäumnisse bei der Einhaltung der Sicherheitshinweise und Anweisungen können elektrischen Schlag, Brand und/oder schwere Verletzungen verursachen.

Bewahren Sie alle Sicherheitshinweise und Anweisungen für die Zukunft auf. Der in den Sicherheitshinweisen verwendete Begriff „Elektrowerkzeug“ bezieht sich auf netzbetriebene Elektrowerkzeuge (mit Netzkabel) und auf akkubetriebene Elektrowerkzeuge (ohne Netzkabel).

ARBEITSPLATZSICHERHEIT

- **Halten Sie Ihren Arbeitsbereich sauber und gut beleuchtet.** Unordnung oder unbeleuchtete Arbeitsbereiche können zu Unfällen führen.
- **Arbeiten Sie mit dem Elektrowerkzeug nicht in explosionsgefährdeter Umgebung, in der sich brennbare flüssigkeiten, Gase oder Stäube befinden.** Elektrowerkzeuge erzeugen Funken, die den Staub oder die Dämpfe entzünden können.
- **Halten Sie Kinder und andere Personen während der Benutzung des Elektrowerkzeugs fern.** Bei Ablenkung können Sie die Kontrolle über das Gerät verlieren.

ELEKTRISCHE SICHERHEIT

- **Der Anschlussstecker des Elektrowerkzeuges muss in die Steckdose passen. Der Stecker darf in keiner Weise verändert werden. Verwenden Sie keine Adapterstecker gemeinsam mit schutzgeerdeten Elektrowerkzeugen.** Unveränderte Stecker und passende Steckdosen verringern das Risiko eines elektrischen Schlages.
- **Vermeiden Sie Körperkontakt mit geerdeten Oberflächen wie von Rohren, Heizungen, Herden und Kühlschränken.** Es besteht ein erhöhtes Risiko durch elektrischen Schlag, wenn Ihr Körper geerdet ist.
- **Halten Sie Elektrowerkzeuge von Regen oder Nässe fern.** Das Eindringen von Wasser in ein Elektrowerkzeug erhöht das Risiko eines elektrischen Schlages.
- **Zweckentfremden Sie das Kabel nicht, um das Elektrowerkzeug zu tragen, aufzuhängen oder um den Stecker aus der Steckdose zu ziehen. Halten Sie das Kabel fern von Hitze, Öl, scharfen Kanten oder sich bewegenden Geräteteilen.** Beschädigte oder verwickelte Kabel erhöhen das Risiko eines elektrischen Schlages.
- **Wenn Sie mit einem Elektrowerkzeug im Freien arbeiten, verwenden Sie nur Verlängerungskabel, die auch für den Außenbereich geeignet sind.** Die Anwendung eines für den Außenbereich geeigneten Verlängerungskabels verringert das Risiko eines elektrischen Schlages.
- **Wenn der Betrieb des Elektrowerkzeuges in feuchter Umgebung nicht vermeidbar ist, verwenden Sie einen fehlerstromschutzschalter.** Der Einsatz eines Fehlerstromschutzschalters vermindert das Risiko eines elektrischen Schlages.

SICHERHEIT VON PERSONEN

- **Seien Sie aufmerksam, achten Sie darauf, was Sie tun, und gehen Sie mit Vernunft an die Arbeit mit einem Elektrowerkzeug. Benutzen Sie kein**

1. ALLGEMEINE SICHERHEITSHINWEISE

Elektrowerkzeug, wenn Sie müde sind oder unter dem Einfluss von Drogen, Alkohol oder Medikamenten stehen. Ein Moment der Unachtsamkeit beim Gebrauch des Elektrowerkzeuges kann zu ernsthaften Verletzungen führen.

• **Tragen Sie persönliche Schutzausrüstung und immer eine Schutzbrille.**

Das Tragen persönlicher Schutzausrüstung, wie Staubmaske, rutschfeste Sicherheitsschuhe, Schutzhelm oder Gehörschutz, je nach Art und Einsatz des Elektrowerkzeuges, verringert das Risiko von Verletzungen.

• **Vermeiden Sie eine unbeabsichtigte Inbetriebnahme. Vergewissern Sie sich, dass das Elektrowerkzeug ausgeschaltet ist, bevor Sie es an die Stromversorgung und/oder den Akku anschließen, es aufnehmen oder tragen.** Wenn Sie beim Tragen des Elektrowerkzeuges den Finger am Schalter haben oder das Gerät eingeschaltet an die Stromversorgung anschließen, kann dies zu Unfällen führen.

• **Entfernen Sie Einstellwerkzeuge oder Schraubenschlüssel, bevor Sie das Elektrowerkzeug einschalten.** Ein Werkzeug oder Schlüssel, der sich in einem drehenden Geräteteil befindet, kann zu Verletzungen führen.

• **Vermeiden Sie eine abnormale Körperhaltung. Sorgen Sie für einen sicheren Stand und halten Sie jederzeit das Gleichgewicht.** Dadurch können Sie das Elektrowerkzeug in unerwarteten Situationen besser kontrollieren.

• **Tragen Sie geeignete Kleidung. Tragen Sie keine weite Kleidung oder Schmuck. Halten Sie Haare, Kleidung und Handschuhe fern von sich bewegenden Teilen.** Lockere Kleidung, Schmuck oder lange Haare können von sich bewegenden Teilen erfasst werden.

• **Wenn Staubabsaug- und -auffangeinrichtungen montiert werden können, vergewissern Sie sich, dass diese angeschlossen sind und richtig verwendet werden.** Verwendung einer Staubabsaugung kann Gefährdungen durch Staub verringern.

VERWENDUNG UND BEHANDLUNG DES ELEKTROWERKZEUGES

• **Überlasten Sie das Gerät nicht. Verwenden Sie für Ihre Arbeit das dafür bestimmte Elektrowerkzeug.** Mit dem passenden Elektrowerkzeug arbeiten Sie besser und sicherer im angegebenen Leistungsbereich.

• **Benutzen Sie kein Elektrowerkzeug, dessen Schalter defekt ist.**

Ein Elektrowerkzeug, das sich nicht mehr ein- oder ausschalten lässt, ist gefährlich und muss repariert werden.

• **Ziehen Sie den Stecker aus der Steckdose und/oder entfernen Sie den Akku, bevor Sie Geräteeinstellungen vornehmen, Zubehörteile wechseln oder das Gerät weglegen.** Diese Vorsichtsmaßnahme verhindert den unbeabsichtigten Start des Elektrowerkzeuges.

• **Bewahren Sie unbenutzte Elektrowerkzeuge außerhalb der Reichweite von Kindern auf.** Lassen Sie Personen das Gerät nicht benutzen, die mit diesem nicht vertraut sind oder diese Anweisungen nicht gelesen haben. Elektrowerkzeuge sind gefährlich, wenn Sie von unerfahrenen Personen benutzt werden.

• **Pflegen Sie Elektrowerkzeuge mit Sorgfalt. Kontrollieren Sie, ob bewegliche Teile einwandfrei funktionieren und nicht klemmen, ob Teile gebrochen oder**

2. SICHERHEITSHINWEISE FÜR RÜHRER

so beschädigt sind, dass die Funktion des Elektrowerkzeuges beeinträchtigt ist. Lassen Sie beschädigte Teile vor dem Einsatz des Gerätes reparieren. Viele Unfälle haben ihre Ursache in schlecht gewarteten Elektrowerkzeugen.

• **Halten Sie Schneidwerkzeuge scharf und sauber.** Sorgfältig gepflegte Schneidwerkzeuge mit scharfen Schneidkanten verklemmen sich weniger und sind leichter zu führen.

• **Verwenden Sie Elektrowerkzeug, Zubehör, Einsatzwerkzeuge usw. entsprechend diesen Anweisungen. Berücksichtigen Sie dabei die Arbeitsbedingungen und die auszuführende Tätigkeit.** Der Gebrauch von Elektrowerkzeugen für andere als die vorgesehenen Anwendungen kann zu gefährlichen Situationen führen.

SERVICE

• **Lassen Sie Ihr Elektrowerkzeug nur von qualifiziertem Fachpersonal und nur mit Original-Ersatzteilen reparieren.** Damit wird sichergestellt, dass die Sicherheit des Elektrowerkzeuges erhalten bleibt.

SICHERHEITSHINWEISE FÜR RÜHRER

Verwenden Sie während der Arbeit geeignete Augenschutzmittel um sich vor fliegenden Teilchen zu schützen. Tragen Sie eine Schutzbrille. Treffen Sie Schutzmaßnahmen gegen das Einatmen von Staub. Manche Werkstoffe können toxische Bestandteile enthalten.

• Es wird empfohlen, während der Arbeit mit der Stichsäge Schutzhandschuhe tragen.

WARNUNG: Bevor Sie das Elektrogerät an das Stromnetz anschließen, überzeugen Sie sich, dass die Versorgungsspannung der angegebenen Spannung auf der Tabelle mit den technischen Daten (auf dem Typenschild) des Elektrogeräts entspricht.

• Eine höhere Spannung als auf dem Typenschild angegeben kann ernsthafte Verletzungen für den Bediener und Schäden am Elektrowerkzeug hervorrufen.

• Wenn sie Zweifel haben, stecken Sie den Stecker des Elektrowerkzeuges nicht in die Steckdose.

• Niedrigere Spannung als auf dem Typenschild angegeben kann das Elektrowerkzeug beschädigen.

• Um ein eventuelles Überhitzen eines Verlängerungskabels zu vermeiden, wickeln Sie das Kabel der Kabeltrommel immer bis zum Ende ab.

• Falls das Benutzen eines Verlängerungskabels erforderlich ist, überzeugen Sie sich, dass der Querschnitt des Kabels dem Nennstrom des benutzten Elektrowerkzeuges entspricht. Überzeugen Sie sich von der Funktionstüchtigkeit des Kabels und prüfen Sie es auf Schäden.

WARNUNG: Schalten Sie vor jeder Einstellung, Bedienung oder Wartung, so wie auch bei einem Stromausfall immer das Elektrowerkzeug aus und ziehen Sie den Stecker aus der Steckdose.

• Die Maschine nicht unter Belastung einschalten und nur bei vollem Stillstand zur Seite legen.

2. SICHERHEITSHINWEISE FÜR RÜHRER

- Halten Sie das Elektrowerkzeug beim Arbeiten fest mit beiden Händen und sorgen Sie für einen sicheren Stand. Das Elektrowerkzeug wird mit zwei Händen sicherer geführt.
- Halten Sie das Elektrowerkzeug beim Arbeiten fest mit beiden Händen und sorgen Sie für einen sicheren Stand.
- Ziehen Sie sofort den Netzstecker und lassen Sie das Elektrowerkzeug vom Kundendienst überprüfen, falls es in das Rührgut fällt. In das Elektrowerkzeug eindringendes Rührgut kann Schäden verursachen und zu einem elektrischen Schlag führen.
- Beim Arbeiten in staubiger Umgebung sollten die Lüftungsschlitze der Maschine sauber gehalten werden. Falls Sie vom Staub gereinigt werden müssen, schalten Sie zuerst die Maschine aus und verwenden Sie keine metallischen Gegenstände für die Staubentfernung. Achten Sie bitte darauf, die Außenteile der Maschine dabei nicht zu beschädigen.
- Halten Sie das Netzkabel außerhalb des Arbeitsbereichs der Maschine.
- Sie dürfen mit dem Elektrowerkzeug nicht arbeiten, wenn das Netzkabel beschädigt ist. Berühren Sie das beschädigte Netzkabel nicht und ziehen Sie den Stecker aus der Steckdose heraus, wenn das Netzkabel während der Arbeit beschädigt wird. Ein beschädigtes Netzkabel erhöht das Risiko für einen Stromschlag.
- Das Elektrowerkzeug soll nur bestimmungsgemäß verwendet werden. Jeder anderer Gebrauch, anders als der Gebrauch, beschrieben in dieser Instruktion, gilt als nicht bestimmungsgemäß. Die Verantwortung für jede Schädigung oder Verletzung, verursacht durch falschen Gebrauch, trägt der Betreiber und nicht der Hersteller.
- Um dieses Elektrowerkzeug richtig zu betreiben, sollten Sie die Sicherheitsregeln, die allgemeinen Instruktionen und die Betriebsanweisungen, die hier angegeben sind, beachten. Alle Betreiber sollten sich mit dieser Betriebsanweisung bekanntmachen und über die potenziellen Risiken bei der Arbeit mit dem Elektrowerkzeug informiert sein. Kinder und körperlich schwache Personen dürfen das Elektrowerkzeug nicht benutzen. Kinder sollten ständig kontrolliert werden, falls sie sich in der Nähe des Ortes, wo mit dem Elektrowerkzeug gearbeitet wird, befinden. Unbedingt sollten auch präventive Sicherheitsmassnahmen getroffen werden. Das gleiche gilt auch für die Einhaltung der Grundregeln für Berufsgesundheit und Sicherheit. Der Hersteller übernimmt keine Verantwortung für von dem Betreiber vorgenommenen Änderungen des Elektrowerkzeuges oder für Schaden, verursacht durch solche Änderungen.
- Der Hersteller trägt keine Verantwortung für die vom Verbraucher am Elektrowerkzeug vorgenommenen Änderungen oder für Schäden, die von solchen Änderungen verursacht worden sind.

3. ELEMENTE DES ELEKTROWERKZEUGS 4. ARBEITSHINWEISE

- The tool must be used only for its prescribed purpose. Any use other than those mentioned in this Manual will be considered a case of misuse. The user and not the manufacturer shall be liable for any damage or injury resulting from such cases of misuse.
- To use this tool properly, you must observe the safety regulations, the assembly instructions and the operating instructions found in this Manual. All persons who use and service the machine have to be acquainted with this Manual and must be informed about its potential hazards. Children and frail people must not use this tool. Children should be supervised at all times if they are in the area in which the tool is being used. It is also imperative that you observe the accident prevention regulations in force in your area. The same applies for general rules of occupational health and safety.
- The manufacturer shall not be liable for any changes made to the tool nor for any damage resulting from such changes.
- Power tools must not be used outdoors in rainy weather, or in moist environment (after rain) or in close vicinity with easily flammable liquids and gases. The working place should be well lit.

ELEMENTE DES ELEKTROWERKZEUGS

Vor dem Beginn der Arbeit mit dem Elektrowerkzeug machen Sie sich mit allen operativen Besonderheiten und Sicherheitsbedingungen bekannt. Benutzen Sie das Elektrowerkzeug und das Zubehör dazu nur zweckmäßig. Jede andere Anwendung ist ausdrücklich verboten.

1. Rührkorb
2. M14 Werkzeuganschlusswelle
3. Elektronischer Drehzahlregler
4. Gangwahlschalter
5. Feststelltaste
6. Ein- und Ausschalter
7. Motorgehäuse

ARBEITSHINWEISE

Dieses Elektrowerkzeug wird mit einphasiger Wechselspannung versorgt. Man kann es an Kontaktsteckdosen ohne Schutzklemmen anschließen.

Es ist nach EN 60745-1 und IEC 60745 doppelt isoliert.

Die Funkstörungen entsprechen der EMV-Richtlinie zur Elektromagnetischen Verträglichkeit. Das Elektrowerkzeug ist bestimmt zum:

- Betrieb in der Industrie und im Heim;
- Anrühren von flüssigen und halbflüssigen Baustoffen mit niedrigerer Viskosität, z.B.: Farben, Lacken, Klebern, leichten Putzen u.a.; - Gebrauch mit Rührkörben und Zubehör, die in der Betriebsanleitung angegeben oder von dem Hersteller empfohlen worden sind.

VOR DEM ARBEITSBEGINN

- Überprüfen Sie ob die Spannung des Versorgungsnetzes der auf dem Typenschild mit den technischen Daten des Elektrowerkzeuges angegebenen Spannung entspricht.
- Überprüfen Sie in welcher Stellung der sich Schalter befindet. Das Gerät darf nur ausgeschaltet ans Netz angeschlossen und vom Netz getrennt werden. Falls Sie den Netzstecker in die Steckdose stecken wenn das Gerät eingeschaltet ist wird es sofort beginnen anzulaufen was die Voraussetzung für einen schweren Unfall sein kann.
- Überzeugen Sie sich vom ordnungsgemäßen Zustand des Versorgungskabels und des Steckers. Falls das Versorgungskabel beschädigt ist, darf es nur vom Hersteller oder einem autorisierten Servicefachmann ausgetauscht werden um eventuelle Gefährdungen zu vermeiden.
- Vor Arbeitsbeginn sollten das Elektrowerkzeug und der Rührkorb für Störungen, Unwucht und Vibrationen überprüft werden. Probelauf durchführen.

WARNUNG: Schalten Sie vor jeder Einstellung, Bedienung oder Wartung, so wie auch bei einem Stromausfall immer das Elektrowerkzeug aus und ziehen Sie den Stecker aus der Steckdose.

EIN- UND AUSSCHALTEN

Kurzzeitige Betätigung

Einschalten: Schalter (6) drücken.

Ausschalten: Schalter (6) loslassen.

Längerer Betrieb Einschalten:

Schalter (6) drücken und in gedrücktem Zustand mit der Feststelltaste (5) fixieren.

Ausschalten: Schalter (6) einmal drücken und loslassen.

STUFENLOSE ELEKTRONISCHE DREHZAHLEGEUNG

Leichter Druck des Schalters (6) bewirkt den Betrieb des Rührgerätes mit niedriger Drehzahl, die mit Verstärkung des Druckes auf den Schalter (6) gleichmäßig bis zum Erreichen der Enddrehzahl erhöht werden kann.

ELEKTRONISCHER GESCHWINDIGKEITSREGLER

Schalten Sie zuerst den Netzschalter ein und dann den Reglerschalter (3), der sich in der linken Griff, um die gewünschte Geschwindigkeit zu erhalten.

MECHANISCHER GESCHWINDIGKEITSREGLER

Zwei Drehzahlbereiche können mit dem Geschwindigkeitswahlschalter (4) vorgewählt werden:

Gang 1 180 - 400 / min

Gang 2 300 - 700 / min

Die notwendige Geschwindigkeit hängt von der Art des Materials ab und ist gemischt empfohlen, es durch einen praktischen Test zu verifizieren.

WARTUNG

WARNUNG: Vor jeder Wartung oder Überprüfung das Elektrowerkzeug immer ausschalten und den Stecker aus der Steckdose ziehen.

ALLGEMEINE ÜBERPRÜFUNG

Überprüfen Sie regelmäßig alle Befestigungselemente um sich zu überzeugen, dass sie fest angezogen sind. Falls einige der Schrauben lose sind, sofort festziehen, um Risikosituationen zu vermeiden. Im Falle eines beschädigten Netzkabels soll der Austausch durch den Hersteller oder seinen Servicefachmann vorgenommen werden, um die Risiken die bei einem Austausch entstehen können zu vermeiden.

REINIGUNG

Für den sicheren Betrieb die Maschine und die Belüftungsöffnungen immer sauber halten. Regelmäßig überprüfen, ob in die Belüftungsöffnungen des Motors oder um die Umschalter Staub oder Fremdkörper eingedrungen sind. Weiche Bürste und/oder Druckluft für die Entfernung des Staubes verwenden. Um die Augen während der Reinigung zu schützen, Schutzbrille tragen. Das Gehäuse der Maschine gegebenenfalls mit einem weichen feuchten Tuch abwischen. Hierfür kann zusätzlich eine schwache Reinigungslösung (Spülmittel) verwendet werden.

WARNUNG: Die Verwendung von Benzin oder anderen Lösungsmitteln ist unzulässig. Nie ätzende Präparate für die Reinigung der Kunststoffteile verwenden.

WARNUNG: Vermeiden Sie unbedingt das Wasser in die Maschine (z.B. durch die Lüftungsschlitze) eindringt.

TECHNISCHE DATEN

Modell	MX1600CE	Anschlussgewinde	M14
Nennaufnahme	1600 W	Gewicht	5,4 kg
Leerlaufdrehzahl	180-400min ⁻¹ /300-700min ⁻¹	Schutzklasse (EN 60745-1)	II

Geräuschemissionswerte

Der A-bewertete Schalldruckpegel	L _{PA} - 87,6 dB(A), K _{PA} - 3dB
Der A-bewertete Schalleistungspegel	L _{WA} - 98,6 dB(A), K _{WA} - 3dB

Schwingungsgesamtwerte

Schwingungsemissionswert	a _h - 5,187 m/s ² , Unsicherheit K - 1.5 m/s ²
--------------------------	---

ZUBEHÖR: Rührer MX1600CE, Schlüssel, Mixer, Anleitung, Verpackung

KONFORMITÄTSERKLÄRUNG

Hiermit versichern wir unsere persönliche Haftung, dass dieses Erzeugnis allen einschlägigen Bestimmungen folgender Richtlinien und entsprechender harmonisierten Standards entspricht: 2014/30/EU, 2006/42/EC.


EN 55014-1:2006/A2:2011, EN 55014-2:2005,

EN 61000-3-2:2014, EN 6100-3-3:2013,

EN 60745-1:2009/A11:2010, EN ISO 12100:2010,

AfPS GS 2014:01 PAK

Die technischen Unterlagen werden bei STATUS ITALIA S.R.L., via Aldo Moro, 14/A, 36060 - Pianezze (VI), ITALY, aufbewahrt.


Caron Giacinto
Director
STATUS ITALIA S.R.L.

NORME DI SICUREZZA

Avvertenze generali di pericolo per elettrodomestici

AVVERTENZA! Leggere tutte le avvertenze di pericolo e le istruzioni operative. In caso di mancato rispetto delle avvertenze di pericolo e delle istruzioni operative si potrà creare il pericolo di scosse elettriche, incendi e/o incidenti gravi.

Conservare tutte le avvertenze di pericolo e le istruzioni operative per ogni esigenza futura.

Il termine «elettrodomestico» utilizzato nelle avvertenze di pericolo si riferisce ad utensili elettrici alimentati dalla rete (con linea di allacciamento) ed ad utensili elettrici alimentati a batteria (senza linea di allacciamento).

1) Sicurezza della postazione di lavoro

- **Tenere la postazione di lavoro sempre pulita e ben illuminata.** Il disordine oppure zone della postazione di lavoro non illuminate possono essere causa di incidenti.
- **Evitare d'impiegare l'elettrodomestico in ambienti soggetti al rischio di esplosioni nei quali si abbia presenza di liquidi, gas o polveri infiammabili.** Gli elettrodomestici producono scintille che possono far infiammare la polvere o i gas.
- **Tenere lontani i bambini ed altre persone durante l'impiego dell'elettrodomestico.** Eventuali distrazioni potranno comportare la perdita del controllo sull'elettrodomestico.

2) Sicurezza elettrica

- **La spina di allacciamento alla rete dell'elettrodomestico deve essere adatta alla presa. Evitare assolutamente di apportare modifiche alla spina. Non impiegare spine adattatrici assieme ad elettrodomestici dotati di collegamento a terra.** Le spine non modificate e le prese adatte allo scopo riducono il rischio di scosse elettriche.
- **Evitare il contatto fisico con superfici collegate a terra, come tubi, riscaldamenti, cucine elettriche e frigoriferi.** Sussiste un maggior rischio di scosse elettriche nel momento in cui il corpo è messo a massa.
- **Custodire l'elettrodomestico al riparo dalla pioggia o dall'umidità.** La penetrazione dell'acqua in un elettrodomestico aumenta il rischio di una scossa elettrica.
- **Non usare il cavo per scopi diversi da quelli previsti ed, in particolare, non usarlo per trasportare o per appendere l'elettrodomestico oppure per estrarre la spina dalla presa di corrente. Non avvicinare il cavo a fonti di calore, olio, spigoli taglienti e neppure a parti della macchina che siano in movimento.** I cavi danneggiati o aggrovigliati aumentano il rischio d'insorgenza di scosse elettriche.
- **Qualora si voglia usare l'elettrodomestico all'aperto, impiegare solo ed esclusivamente cavi di prolunga che siano adatti per l'impiego all'esterno.**

L'uso di un cavo di prolunga omologato per l'impiego all'esterno riduce il rischio d'insorgenza di scosse elettriche.

- **Qualora non fosse possibile evitare di utilizzare l'elettrodomestico in ambiente umido, utilizzare un interruttore di sicurezza.** L'uso di un interruttore di sicurezza riduce il rischio di una scossa elettrica.
- ### 3) Sicurezza delle persone
- **È importante concentrarsi su ciò che si sta facendo e maneggiare con giudizio l'elettrodomestico durante le operazioni di lavoro. Non utilizzare mai l'elettrodomestico in caso di stanchezza oppure quando ci si trovi sotto l'effetto di droghe, bevande alcoliche e medicinali.** Un attimo di distrazione durante l'uso dell'elettrodomestico può essere causa di gravi incidenti.
 - **Indossare sempre equipaggiamento protettivo individuale, nonché guanti protettivi.** Indossando abbigliamento di protezione personale come la maschera per polveri, scarpe di sicurezza che non scivolino, elmetto di protezione oppure protezione acustica a seconda del tipo e dell'applicazione dell'elettrodomestico, si riduce il rischio di incidenti.
 - **Evitare l'accensione involontaria dell'elettrodomestico. Prima di collegarlo alla rete di alimentazione elettrica e/o alla batteria ricaricabile, prima di prenderlo oppure prima di iniziare a trasportarlo, assicurarsi che l'elettrodomestico sia spento.** Tenendo il dito sopra l'interruttore mentre si trasporta l'elettrodomestico oppure collegandolo all'alimentazione di corrente con l'interruttore inserito, si vengono a creare situazioni pericolose in cui possono verificarsi seri incidenti.
 - **Prima di accendere l'elettrodomestico togliere gli attrezzi di regolazione o la chiave inglese.** Un accessorio oppure una chiave che si trovi in una parte rotante della macchina può provocare seri incidenti.
 - **Evitare una posizione anomala del corpo. Avere cura di mettersi in posizione sicura e di mantenere l'equilibrio in ogni situazione.** In questo modo è possibile controllare meglio l'elettrodomestico in caso di situazioni inaspettate.
 - **Indossare vestiti adeguati. Non indossare vestiti larghi, né portare bracciali e catenine. Tenere i capelli, i vestiti ed i guanti lontani da pezzi in movimento.** Vestiti lenti, gioielli o capelli lunghi potranno impigliarsi in pezzi in movimento.
 - **In caso fosse previsto il montaggio di dispositivi di aspirazione della polvere e di raccolta, assicurarsi che gli stessi siano collegati e che vengano utilizzati correttamente.** L'utilizzo di un'aspirazione polvere può ridurre lo svilupparsi di situazioni pericolose dovute alla polvere.
- ### 4) Trattamento accurato ed uso corretto degli elettrodomestici
- **Non sottoporre la macchina a sovraccarico. Per il proprio lavoro, utilizzare esclusivamente l'elettrodomestico esplicitamente previsto per il caso.** Con un elettrodomestico adatto si lavora in modo migliore e più sicuro nell'ambito della sua potenza di prestazione.

- **Non utilizzare mai elettroutensili con interruttori difettosi.** Un elettroutensile con l'interruttore rotto è pericoloso e deve essere aggiustato.
- **Prima di procedere ad operazioni di regolazione sulla macchina, prima di sostituire parti accessorie oppure prima di posare la macchina al termine di un lavoro, estrarre sempre la spina dalla presa della corrente e/o estrarre la batteria ricaricabile.** Tale precauzione eviterà che l'elettroutensile possa essere messo in funzione involontariamente.
- **Quando gli elettroutensili non vengono utilizzati, conservarli al di fuori del raggio di accesso di bambini. Non fare usare l'elettroutensile a persone che non siano abituate ad usarlo o che non abbiano letto le presenti istruzioni.** Gli elettroutensili sono macchine pericolose quando vengono utilizzati da persone non dotate di sufficiente esperienza.
- **Eseguire la manutenzione dell'elettroutensile operando con la dovuta diligenza. Accertarsi che le parti mobili della macchina funzionino perfettamente, che non s'incastrino e che non ci siano pezzi rotti o danneggiati al punto da limitare la funzione dell'elettroutensile stesso. Prima di iniziare l'impiego, far riparare le parti danneggiate.** Numerosi incidenti vengono causati da elettroutensili la cui manutenzione è stata effettuata poco accuratamente.
- **Mantenere gli utensili da taglio sempre affilati e puliti.** Gli utensili da taglio curati con particolare attenzione e con taglienti affilati s'incastrano meno frequentemente e sono più facili da condurre.
- **Utilizzare l'elettroutensile, gli accessori opzionali, gli utensili per applicazioni specifiche ecc., sempre attenendosi alle presenti istruzioni. Così facendo, tenere sempre presente le condizioni di lavoro e le operazioni da eseguire.** L'impiego di elettroutensili per usi diversi da quelli consentiti potrà dar luogo a situazioni di pericolo.

5) Assistenza

- **Fare riparare l'elettroutensile solo ed esclusivamente da personale specializzato e solo impiegando pezzi di ricambio originali.** In tale maniera potrà essere salvaguardata la sicurezza dell'elettroutensile.

ISTRUZIONI SUPPLEMENTARI DI SICUREZZA

Usare mezzi di protezione della vista durante il lavoro, per proteggersi da corpuscoli volanti. Indossare occhiali protettivi.

Prendere precauzioni contro l'inspirazione di polvere. Alcuni materiali possono contenere ingredienti tossici.

- **È consigliato l'uso di guanti protettivi.**

AVVERTENZA: Prima di collegare l'apparecchio elettrico con la rete di alimentazione, accertarsi che la tensione di alimentazione corrisponde a quella riportata sulla targhetta dati tecnici dell'elettroutensile.

- Una sorgente di alimentazione dalla tensione superiore a quella indicata per l'apparecchio elettrico, può causare sia una grave lesione di scossa elettrica all'operatore, sia un guasto all'apparecchio elettrico.

- Se si ha qualsiasi esitazione, non innestare la spina dell'apparecchio nella presa. L'uso di una sorgente di alimentazione con tensione inferiore a quella indicata sulla targhetta dati tecnici dell'elettroutensile, danneggerà il motore elettrico.
 - Per ovviare all'eventuale surriscaldamento, svolgere sempre completamente il cavo di prolunga con rocchetto.
 - Quando si deve usare una prolunga, accertarsi che la sua sezione corrisponde alla corrente nominale dell'elettroutensile usato, nonché dello stato di efficienza della prolunga.
- AVVERTENZA:** Disinserire sempre l'elettroutensile e disinnestare la spina dalla presa prima di effettuare qualsiasi regolazione, riparazione o manutenzione, e ad abbassamento della tensione.
- Non inserire l'apparecchio sotto carico, e posarlo poi soltanto dopo l'arresto definitivo della rotazione.
 - Nel lavorare con l'apparecchio, tenerlo sempre fermamente con ambedue le mani e assumere una posizione stabile. Questo elettroutensile viene controllato più sicuramente con ambedue le mani.
 - Tenere l'elettroutensile a distanza dal corpo, e le mani lontano dalle parti rotanti dell'apparecchio.
 - Nel caso in cui l'elettroutensile cadrà nella miscela mescolata, staccare subito la spina e portare l'apparecchio per essere esaminato in un centro assistenza autorizzato. Il materiale penetrato nell'elettroutensile potrebbe causare un guasto e provocare corto circuito.
 - Quando si lavora in un ambiente polveroso, i fori di ventilazione dell'apparecchio vanno mantenuti puliti. Se devono essere puliti di polvere, per prima cosa disinserire l'alimentazione, e utilizzare oggetti non metallici per togliere la polvere, stando attenti a non danneggiare i pezzi interni dell'apparecchio.
 - Tenere il cordone d'alimentazione fuori della portata operativa dell'apparecchio.
 - Non usare l'elettroutensile con cordone guasto. Non toccare il cordone danneggiato e disinnestare la spina dalla presa, se il cordone viene danneggiato durante il lavoro. I cordoni guasti aumentano il rischio di scossa elettrica.
 - Usare l'elettroutensile soltanto secondo la sua destinazione d'uso. Qualsiasi altro uso, differente da quello descritto in queste istruzioni, verrà considerato erroneo. La responsabilità per qualsiasi guasto o ferimento che risulta da uso erroneo, cadrà sull'utente, e non sul fabbricante.
 - Per sfruttare correttamente questo elettroutensile, si devono rispettare le regole di sicurezza, le istruzioni generali e le istruzioni di funzionamento qui indicate. Tutti gli utenti devono conoscere queste istruzioni d'uso ed essere informati dei potenziali rischi nel lavoro con l'elettroutensile. Bambini e persone fisicamente deboli non devono usare l'elettroutensile. I bambini devono stare sotto continua sorveglianza se si trovano vicino al luogo dove si lavora con l'elettroutensile. È obbligatorio prendere anche precauzioni di sicurezza. Lo stesso concerne pure l'osservanza delle regole principali relative alla salute e alla sicurezza sul posto di lavoro.

PRENDERE VISIONE DELL'ELETTROUTENSILE

Prima di cominciare a lavorare con l'elettrotensile, prendere conoscenza di tutte le particolarità operative e condizioni di sicurezza. Impiegare l'elettrotensile e i suoi accessori unicamente secondo la destinazione d'uso.

Ogni altro impiego è espressamente vietato.

1. Frusta di miscelazione
2. Attacco M14 per frusta di miscelazione
3. Rotellina per regolazione elettronica della velocità (non visibile)
4. Commutatore di marcia
5. Tasto di bloccaggio per interruttore avvio/arresto (non visibile)
6. Interruttore di avvio/arresto
7. Alloggiamento motore

MONTAGGIO & USO

MONTAGGIO

- Prima di qualunque intervento sull'elettrotensile estrarre la spina di rete dalla presa.

Cambio degli utensili**Frusta di miscelazione con filettatura esterna M14**

Avvitare la frusta di miscelazione (1) sull'adattatore dell'alberino, successivamente avvitare l'alberino sul mandrino di trasmissione (2).

Tenere il mandrino di trasmissione (2) con la chiave in dotazione e con l'ausilio di una seconda chiave fissa avvitare saldamente l'alberino e la frusta di miscelazione (1).

Lo smontaggio della frusta di miscelazione avviene in sequenza inversa.

USO**Messa in funzione**

- Osservare la tensione di rete! La tensione della rete deve corrispondere a quella indicata sulla targhetta dell'elettrotensile. Gli elettrotensili con l'indicazione di 240V possono essere collegati anche alla rete di 220V.

Accendere/spegnere

Per accendere l'elettrotensile premere l'interruttore di avvio/arresto (6) e tenerlo premuto. Per fissare in posizione l'interruttore di avvio/arresto (6) premere il tasto di bloccaggio (5).

Per spegnere l'elettrotensile rilasciare di nuovo l'interruttore di avvio/arresto (6) oppure se è bloccato con il tasto di bloccaggio (5), premere brevemente l'interruttore di avvio/arresto (6) e rilasciarlo di nuovo.

Indicazioni operative

La scelta della frusta di miscelazione dipende dal materiale da miscelare.

Per materiale da miscelare con scarsa viscosità, come p. es. colore a dispersione, vernici, colle, materiale di tenuta, miscela di cemento ed acqua utilizzare una frusta di miscelazione con spirale sinistrorsa.

Per materiale da miscelare con alta viscosità, come p. es. intonaco pronto, calcestruzzo, cemento, materiale per pavimenti, stucco, resina epossidica utilizzare una frusta di miscelazione con spirale destrorsa. Durante la miscelazione muovere l'elettrotensile verso l'alto e verso il basso. Dopo l'uso pulire la frusta di miscelazione.

Controllo velocità elettronica

La leggera pressione sull'interruttore ON / OFF (6) determina una bassa velocità di rotazione, premendo ulteriormente l'interruttore produce un aumento regolare del numero di giri al massimo al raggiungimento del valore posizione estrema

Regolatore elettronico di velocità

Accendere prima l'interruttore di alimentazione, quindi ruotare l'interruttore del regolatore (3) che si trova nel manico sinistro per ottenere la velocità desiderata.

Regolatore di velocità meccanico

Due gamme di RPM possono essere preselezionate con il selettore di velocità (4):

Gear 1 180-400 / min

Gear 2 300-700 / min

La velocità necessaria dipende dal tipo di materiale miscelato e lo è consigliato di verificarlo con una prova pratica.

MANUTENZIONE ED ASSISTENZA

AVVERTENZA: Spegnerne sempre l'apparecchio e staccare la spina dalla presa prima di effettuare qualsiasi verifica o manutenzione.

Ispezione generale

Controllare regolarmente tutti gli elementi di fissaggio e accertarsi che sono serrati saldamente. Se qualche vite è allentata, stringerla subito, per evitare situazioni di rischio. Se il cordone d'alimentazione è danneggiato, la sostituzione va effettuata dal fabbricante o da un suo specialista di centro assistenza, per evitare i pericoli che risulterebbero in seguito alla sostituzione.

Pulizia

Per un lavoro sicuro mantenere sempre puliti l'apparecchio e i fori di ventilazione. Verificare regolarmente se nella griglia di ventilazione vicino al motore elettrico o vicino ai commutatori siano penetrati polvere o corpi estranei. Usare una spazzola soffice per spolverarlo. Per proteggere gli occhi durante la pulizia indossare occhiali appositi. Se il corpo dell'apparecchio necessita un trattamento di pulizia, pulirlo con un panno soffice umido. Si può usare un detergente debole.

AVVERTENZA: Non è permesso l'uso di alcool, benzina o altri solventi.

Non usare mai preparati corrosivi per pulire le parti di plastica.

AVVERTENZA: Non permettere il contatto di acqua con l'apparecchio.

IMPORTANTE! Per provvedere a un lavoro sicuro con l'elettrotensile e alla sua attendibilità, tutti i lavori di manutenzione, riparazione e regolazione (ivi incluse la verifica e la sostituzione delle spazzole) vanno effettuati nei centri assistenza autorizzati STATUS, con l'impiego soltanto di pezzi di ricambio originali.

DATI TECNICI

Potenza nominale assorbita (W)	1 600
Tensione (V/Hz)	220-240/50-60
Numero giri a vuoto (RPM)	
- 1 ^a marcia	180-4 00
- 2 ^a marcia	300-700
Collegamento per l'albero di miscelazione	M14
Diametro massimo dell'albero di miscelazione (mm)	135
Volume massimo di miscelazione (Lt)	130
Peso in funzione della EPTA-Procedure 01/2003 (kg)	5,4
Classe di sicurezza	II

Informazioni sulla rumorosità e sulla vibrazione

Valori misurati conformemente alla norma EN 60745.

Il livello di pressione acustica stimato A della macchina ammonta a dB(A):

livello di rumorosità	87,6 dB(A)
livello di potenza acustica	98,6 dB(A)
Incertezza della misura	K - 3 dB

Usare la protezione acustica!

Valori complessivi di oscillazione (somma vettoriale delle tre direzioni) misurati conformemente alla norma EN 60745:

Valore di emissione oscillazioni	$a_{hid} - 5,187 \text{ m/s}^2$
Incertezza della misura	K - 1,5 m/s^2

ACCESSORI: Miscelatore MX1600CE, chiave, strumento di miscelazione, manuale, confezione.

DICHIARAZIONE DI CONFORMITÀ CE

Assumendone la piena responsabilità, dichiariamo che il prodotto descritto nei «Dati tecnici» è conforme alle seguenti normative ed ai relativi documenti:

2014/30/EU, 2006/42/EC.


EN 55014-1:2006/A2:2011, EN 55014-2:2005,

EN 61000-3-2:2014, EN 6100-3-3:2013,

EN 60745-1:2009/A11:2010, EN ISO 12100:2010,

AfPS GS 2014:01 PAK

Fascicolo tecnico presso: Komby – Via Aldo Moro, 14/A – 36060 Pianezze (VI)
Italia


Caron Giacinto
L'Amministratore
STATUS ITALIA S.R.L.

ОБЩИ НОРМИ ЗА БЕЗОПАСНОСТ

Норми за сигурност

Общи предупреждения за опасност при електрически уреди ПРЕДУПРЕЖДЕНИЕ !

Прочетете всички предупреждения за опасност и оперативни инструкции. В случай на неспазване на предупрежденията за опасност и оперативните инструкции може да се създаде опасност от токов удар, пожар и/или тежки инциденти.

Запазете всички предупреждения за опасност и оперативни инструкции за бъдещи изисквания

1) Безопасност на работното място

- **Поддържайте работното място винаги чисто и добре осветено.**

Безредието или пък неосветените зони на работното място могат да станат причина за злополуки.

- **Избягвайте да използвате електрическите уреди в помещения подложени на риск за експлозия, в които има наличие на възпламеняващи се течности, газ или прахове.**

Електроуредите произвеждат искри, които могат да възпламенят праха или газа.

- **Дръжте далече деца или други лица по време на използването на електроуредта.** Евентуалните отвличане на вниманието могат да предизвикат загуба на контрол върху електроуредта.

2) Електрическа безопасност

- **Дръжте електроинструмента само за изолираните повърхности за захващане когато извършвате операция, при която режещата принадлежност може да допре до скрита ел.инсталация или до собствения шнур.** Допирът на режещата принадлежност до проводник под напрежение ще постави откритите метални части на електроинструмента под напрежение и операторът ще получи токов удар.

- **Щепселът за свързване с електрическата мрежа на електроуредта трябва да бъде подходящ за контакта. Избягвайте абсолютно да правите промени в щепсела. Не използвайте щепсели адаптери заедно с електроуреди, които се заземяват.** Непроменените щепсели и подходящите контакти за целта намаляват риска от токов удар.

- **Избягвайте контакт с повърхности, свързани със земята като тръби, отоплителни уреди, електрически печки и хладилници.** Съществува голям риск от токов удар, в момента когато тялото е поставено на маса.

- **Не съхранявайте електроуредта на място, където може да вали дъжд или на влажно място.** Проникването на вода в електроуредта увеличава риска от токов удар.

- **Не използвайте кабела за различни цели от тези предвидените и особено не го използвайте да пренасяте или да закачате електроуредта или пък да измъквате щепсела от контакта на електрическата мрежа.**

Не доближавайте кабела до източници на топлина, машинно масло, режещи ръбове нито път до части на машина, която е в движение. Наранените или остържани кабели увеличават риска от предизвикване на токов удар.

- Когато се налага да използвате електроуредта навън, използвайте само кабели удължители, които са подходящи за използване във външна среда. Използването на подходящ кабел удължител за външна среда намалява риска от предизвикване на токов удар.
- Когато не може да се избегне използването на електроуредта във влажна среда, използвайте прекъсвач за безопасност. Използването на прекъсвач за безопасност намалява риска от токов удар.

3) Безопасност за хора

- Важно е да се съсредоточите върху това, което правите и работете внимателно с електроуредта по време на работната операция. Никога не използвайте електроуредта ако сте уморени или сте под ефекта на дрога, алкохолни напитки и лекарства. Един миг на разсейване по време на използването на електроуредта може да бъде причина за тежки злополуки.
- Обличайте винаги индивидуална предпазна екипировка, както и защитни ръкавици. Използването на персонално защитно облекло като маска за прахове, безопасни обувки, които не се пързаят, предпазна каска или защитно средство от звукове според вида и приложението на електроуредта намалява риска от злополуки.
- Избягвайте неволното пускане на електроуредта. Преди да бъде свързан със захранващата електрическа мрежа и/или презареждащата се батерия, преди да го вземете или пък преди да започнете да го пренасяте уверете се, че електроуредът не е включен. Държането на пръста върху прекъсвача, докато се пренася електроуредта или свързването с електрическата мрежа с включен прекъсвач създава опасни ситуации и може да предизвика сериозни злополуки.
- Преди да запалите електроуредта махнете уредите за регулиране или английския ключ. Един аксесоар или един ключ, който се намира на въртящата се част на машината може да предизвика сериозни злополуки.
- Избягвайте неправилна позиция на тялото. Постарайте се да застанете в сигурна позиция и да пазите равновесие при всяко положение.
- Обличайте подходящи дрехи. Не се обличайте в широки дрехи, нито пък носете гривни и верижки. Дръжте косата си и дрехите си и ръкавиците си далеч от движещи се части. Широки дрехи, бижута или дълга коса могат да се вмъкнат в движещи се части.
- Ако случайно е предвидено монтирането на аспиратори на прах или събиране на прах, направете така, че те да бъдат свързани и се използват правилно. Използването на аспиратор за прах може да доведе до достигане на опасни ситуации, дължащи се на праха.

4) Внимателно боравене и правилно използване на електроуредите

- Не подлагайте машината на свръхнатоварване. За вашата работа използвайте изключително електроуред изключително предвиден за случая. С подходящ електроуред се работи по-добре и по-сигурно в областта на неговата способност за дадената услуга.
- Никога не използвайте електроуреди с дефектни прекъсвачи. Един електроуред със счупен прекъсвач е опасен и трябва да бъде поправен.
- Преди да пристъпите до операции по регулиране на машината, преди да подмените някой от аксесоарите, или преди да оставите машината в края на работата винаги изваждайте щепсела от контакта с електрическата мрежа и/или извадете зареждащата се батерия. Тази предпазна мярка избягва, щото електроуредът може да се задейства неволно.
- Когато уредите не се използват съхранявайте ги извън обсега на деца. Електроуредите не трябва да се използват от лица, които не са свикнали да ги използват, и които не са чели настоящите инструкции. Електроуредите са опасни машини, когато се използват от лица, които нямат достатъчно добър опит с тях.
- Извършвайте поддръжката на електроуредта, действайки с необходимото старание. Уверете се, че подвижните части на машината функционират перфектно, и че нищо не им пречи, че няма счупени или повредени части до такава степен, че да ограничат функционирането на електроуредта. Преди да започнете да работите, поправете повредените части. Многобройни злополуки се причиняват от електроуреди, чиято поддръжка е направена небрежно.
- Поддържайте режещите инструменти винаги наточени и чисти. Режещите инструменти поддържани с особено внимание и с наточени режещи части засичат по-рядко и са по лесни за управление.
- Използвайте електроуредите, аксесоарите към тях, инструментите за специално приложение и др. винаги като се придържате към настоящите инструкции. Постъпвайки така имайте предвид винаги работните условия и операциите, които трябва да извършвате. Използването на електроуреди за различна употреба от предназначението им, може да създаде опасни ситуации.

5) Техническа помощ

- Електроуредът трябва да бъде даден за поправка изключително на специализиран персонал и само ако се използват оригинални резервни части. По този начин може да бъде запазена безопасността на електроуредта.

2. СПЕЦИАЛНИ НОРМИ ЗА БЕЗОПАСНОСТ

3. ОПИСАНИЕ НА ФУНКЦИОНИРАНЕТО / ТЕХНИЧЕСКИ ДАННИ

СПЕЦИАЛНИ НОРМИ ЗА БЕЗОПАСНОСТ

- Никога не разбърквайте избухливи смеси. Електроуредите генерират искри, които могат да се възпламенят от образувалата се пара.
- Изключете незабавно от контакта и проверете уреда за абсорбиран материал. Абсорбираният материал в уреда може да причини щети и електрически удар.
- По време на работа дръжте уреда с двете ръце и заемете стабилна позиция.
- Не обработвайте материали съдържащи азбест. Азбестът е канцерогенен материал.
- Вземете мерки в случай, че по време на работа се образува вреден за здравето, запалим или избухлив прах. Например: някои прахове са канцерогенни. Носете предпазна каска и ако е възможно използвайте система за аспириране на прах и частици.
- Преди да поставите уреда се уверете, че той е спрял напълно. Аксесоарът може да причини загуба на контрол над електроуреда.
- В случай, че използвате електроуреда на открито го свържете с предпазен прекъсвач.

ОПИСАНИЕ НА ФУНКЦИОНИРАНЕТО

Прочетете всички предупреждения за опасност и оперативните инструкции. В случай на неспазване на предупрежденията за опасност и оперативните инструкции може да се създаде опасност от токов удар, пожари и/или тежки злополуки. Молим ви да отворите страницата, където се намира изобразена схематично машината и я оставете отворена докато се чете наръчника за инструкции за ползване.

Използване в съответствие с нормите. Електроуредът е подходящ за смесване на строителни материали на прах, бетони, лепила, както и бои без разтворители и подобни вещества.

ТЕХНИЧЕСКИ ДАННИ

Бъркалка	MX1600SE
Входна мощност (W)	1600
Напрежение (V/Hz)	220-240/50-60
Брой обороти при празен ход:	- първи ход (мин ⁻¹) 180-400 - втори ход (мин ⁻¹) 300-700
Свързване с накрайника за смесване	M14
Максимален диаметър на накрайника за свързване	135
Максимален обем на разбъркване (л)	130
Тегло съгласно ЕРТА – Процедури 01/2003 (кг)	5,4
Клас сигурност	II

4. МОНТАЖ

Техническите характеристики се отнасят до номинални напрежения 220/240V. В случай на по-ниски напрежения и в случай на специални модели според страната, характеристиките могат да варират.

Молим да вземете под внимание кода на продукта, прикачен на табелка от производителя на вашия електроуред. Търговските описания на отделните електроуреди могат да варират.

Илюстрирани съставни части

Номерирането на илюстрираните съставни части се отнася до илюстрацията на електроуреда, който се намира на страницата с графично представяне.

A

1. Накрайник за разбъркване
2. Захват M14 за накрайника за разбъркване
3. Накрайник за електронно регулиране на скоростта (не е видим)
4. Превключвател за ход
5. Бутон за блокиране на прекъсвача пускане / спиране (не е видим)
6. Прекъсвач за пускане / спиране
7. Място за мотора

Информации за шума и вибрациите

Общи стойности измерени в съответствие с норма 60745.

Нивото на вибрациите, посочено в настоящите инструкции е измерено следвайки процедура за измерване съответна на норма EN 60745 и може да бъде използвано, за да се сравняват електроуредите. Същото е годно и за временно оценяване на стреса от вибрациите. Ниво на шум 87,6 dB(A). Ниво на акустична мощност 98,6 dB(A). Колебание K - 3dB.

Използвайте акустично предпазно средство!

Вибрацията на ръката е по-малко от 5,187 m/s², K - 1,5 m/s²

Предупреждение! Посоченото ниво на вибрациите представлява основните използвания на електроуреда. Когато електроуреда се използва за друго, с различни аксесоари или пък с недостатъчна поддръжка, нивото на вибрацията може да се промени. Това може чувствително да увеличи стреса от вибрациите през целия период на оперативното време.

Забележка: За точно оценяване на стреса от вибрациите, трябва да се вземе предвид и времето, през което апаратът е спрял или е пуснат, но не е използван ефективно. Това може да намали ясно стреса от вибрациите за целия оперативен период. Да се приемат допълнителни мерки за безопасност за предпазване на работещия от ефекта от вибрациите като например: поддръжка на електроуреда и на аксесоарите, топли ръце, организация на извършването на работата.

МОНТАЖ

Смяна на аксесоари

Външна бъркалка M14. Поставете бъркалката (1) на накрайника и стегнете пръстена (2). затегнете здраво с приложения ключ. Демонтирането на бъркалката става по обратния ред.

УПОТРЕБА**Включване**

- **Наблюдавайте напрежението на мрежата! Напрежението на мрежата трябва да съответства на посоченото на табелката на електроуредата. Електроуредите с индикация 240V могат да бъдат свързани с мрежа 220V.**

Пускане/спиране

За пускане на електроуредата натиснете прекъсвача за пускане/спиране (6) и го дръжте натиснат. За да фиксирате на позиция прекъсвача пускане/спиране (6) натиснете блокиращия бутон (5).

За да изключите електроуредата натиснете отново прекъсвача за пускане/спиране (6), а ако е блокиран с бутон (5) натиснете за кратко прекъсвача пускане/спиране (6) и го оставете отново.

Безстепенно електронно регулиране на оборотите

Леко натискане на прекъсвача (6) предизвиква задействане на миксера на ниски обороти, които плавно се увеличават до максимални с увеличаване на натиска върху прекъсвача до достигане на крайно положение.

Избор на оборотите

Необходимата честота на въртене се задава предварително посредством завъртане диска на регулатора (3) по посока на стрелката или към знака "+" за повишаване на оборотите, а в обратна посока на стрелката или към знака "-" за понижаване. По този начин се осигурява оптимален режим на работа.

Миксерът е снабден с двускоростен редуктор.

Превключването на скоростите става чрез завъртане на превключвателя (4) на 180° в посока по указаната стрелка, маркирана на превключвателя (посока обратна на часовниковата стрелка при спряла машина).

Скорост 1 180-400 / мин

Скорост 2 300-700 / мин

Необходимата скорост зависи от вида на смесения материал и е така препоръчва се да се провери чрез практически тест.

Оперативни указания

Изборът на бъркалка зависи от материал, който ще се разбърква.

За материали с нисък вискозитет, напр. бои, лепила, циментови смеси и вода използвайте бъркалка с лява спирала.

За материали с висок вискозитет, напр. готов бетон, мазилки, цимент, материали за подови настилки, шпакловки, епоксидни смеси, използвайте бъркалка с дясна спирала. По време на разбъркването движете електроуредата нагоре и надолу. След употреба почистете бъркалката от сместа.

ПОДДРЪЖКА И ТЕХНИЧЕСКА ПОМОЩ**Поддръжка и почистване**

- Преди за извършване дейности по електроуредата изключете щепсела от електрическата мрежа

- За да можете да гарантирате добри и сигурни работни операции, дръжте винаги чисти електроуредата и контактите за вентилация. Ако въпреки грижливите процедури на производство и контрол електроуредът се повреди, поправката му ще бъде извършена от оторизиран пункт за техническа помощ за електроуреди Status. В случай на искане или на поръчване на резервни части, съобщавайте винаги кода на продукта с 8 цифри, прикачен на табелка от производителя на уреда.

Изхвърляне

Изпратете за предпазващо околната среда рециклиране вече неизползваемите опаковки, електроуреди и аксесоари.

Само за страните от ЕО:

Не изхвърляйте вече неизползваемите електроуреди с битовите отпадъци. В съответствие с нормата на директива ЕО 2002/96 за отпадъците на електрически и електронни апарати (RAEE) и изпълнението на транспонирането на националното право, електроуредите станали неизползваеми трябва да бъдат събирани отделно и да бъдат изпратени за екологично повторно използване.

Със запазване правото за технически промени.

ДЕКЛАРАЦИЯ ЗА СЪОТВЕТСТВИЕ

Декларирам на своя лична отговорност, че електроинструмент(и) MX1600CE съгласно даденото техническо описание отговаря на всички приложими изисквания на следните директиви и хармонизирани стандарти: 2014/30/EU, 2006/42/EC.

EN 55014-1:2006/A2:2011, EN 55014-2:2005,

EN 61000-3-2:2014, EN 6100-3-3:2013,

EN 60745-1:2009/A11:2010, EN ISO 12100:2010,

AfPS GS 2014:01 PAK

Техническата документация се съхранява при производителя:

STATUS ITALIA S.R.L., Виа Алдо Моро, 14 / А, 36 060 - Pianezze (VI), ИТАЛИЯ



Карон Джиасинто
Директор
STATUS ITALIA S.R.L.

Дистрибутор на територията на България: Спринтер ЕООД.

Адрес по регистрация: България, гр. София 1000, бул. Христо Ботев 28, ет. 7.

Адрес за кореспонденция: България, гр. София 1303,

бул. Тодор Александров №28, магазин №4.

Уебсайт: www.status-tools.com

E-mail: office@status-tools.eu

Тел. 02 870 51 98

1. ПРЕДНАЗНАЧЕНИЕ ИЗДЕЛИЯ 2. ОСНОВНЫЕ ТРЕБОВАНИЯ БЕЗОПАСНОСТИ

ПРЕДНАЗНАЧЕНИЕ ИЗДЕЛИЯ

Смеситель (миксер) ручной электрический, предназначен для перемешивания жидких растворов и сухих смесей с помощью специальной двухконтурной насадки. Наличие электронной регулировки скорости вращения и 2-х скоростного редуктора позволяет применять данное изделие в широком диапазоне работ по смешиванию смесей различной плотности и объема. Изделие предназначено для использования в бытовых и производственных условиях.

Неправильная эксплуатация может причинить вред владельцу и окружающим. Изготовитель снимает с себя ответственность за надежность изделия и безопасность работы с ним, в случае использования его не по прямому назначению.

ОСНОВНЫЕ ТРЕБОВАНИЯ БЕЗОПАСНОСТИ



ВНИМАНИЕ !

Внимательно ознакомьтесь с требованиями инструкции по безопасности. Не соблюдение требований данной инструкции может привести к поражению электрическим током, пожару или травмам.

ХРАНИТЕ ДАННУЮ ИНСТРУКЦИЮ В ДОСТУПНОМ МЕСТЕ

- 1) Рабочее место
 - Содержите рабочее место чистым и свободным от посторонних предметов.
 - Рабочее место должно быть хорошо освещено .
 - Не используйте изделие для работы во взрывоопасной атмосфере и вблизи от легковоспламеняющихся жидкостей. Электродвигатель изделия при работе искрит, и это может стать причиной пожара.
 - Во время работы не допускайте посторонних и детей к рабочему месту.
- 2) Электробезопасность
 - Сетевая розетка должна соответствовать штепсельной вилке, установленной на сетевом кабеле изделия. Запрещается внесение изменений в конструкцию вилки и использование любых переходников.
 - Во время работы избегайте контакта с заземленными предметами: водопроводными трубами, радиаторами отопления и т.д. При контакте с заземленными предметами значительно возрастает риск поражения электрическим током.
 - Предохраняйте изделие от воздействия воды и повышенной влажности. Попадание воды внутрь изделия может привести к поражению электрическим током.
 - Берегите сетевой кабель изделия. Не используйте кабель для переноски изделия, не тяните за кабель чтобы выключить изделие.

2. ОСНОВНЫЕ ТРЕБОВАНИЯ БЕЗОПАСНОСТИ

Располагайте кабель во время работы вдали от источников тепла, подвижных частей изделия и предметов с острыми краями. Поврежденный кабель может стать причиной поражения электрическим током.

- При работе изделием вне помещения применяйте удлинитель, специально предназначенный для эксплуатации на открытом воздухе. Использование специального удлинителя значительно снижает риск поражения электрическим током.
 - Параметры сети для подключения изделия должны соответствовать параметрам указанным на табличке изделия (230 V~, 50 Hz).
 - При работе изделием вне помещения применяйте удлинитель, специально предназначенный для эксплуатации на открытом воздухе. Использование специального удлинителя значительно снижает риск поражения электрическим током.
- 3) Личная безопасность
- При работе держите изделие только за изолированные рукоятки и части корпуса. Это позволит Вам избежать поражения током когда сверло случайно повредит скрытую проводку или силовой кабель.
 - Не работайте изделием в состоянии алкогольного или наркотического опьянения, под воздействием лекарств и в болезненном состоянии. Кратковременная потеря контроля над изделием во время работы может стать причиной серьезной травмы.
 - Всегда применяйте средства индивидуальной защиты и защитные очки. К средствам индивидуальной защиты относятся: респиратор, нескользящая обувь и шумозащитные наушники. Применение средств защиты сделает работу более комфортной и безопасной.
 - Внимательно следите за тем, чтобы при включении изделия в сеть, клавиша выключателя не была зафиксирована во включенном положении. Это поможет избежать случайного включения изделия.
 - Следите за тем, чтобы перед включением изделия из него были удалены регулировочные инструменты, отвертки и т.п. Попадание инструмента в подвижные части изделия при включении может стать причиной травмы и привести к выходу изделия из строя.
 - При работе занимайте устойчивое положение. Всегда стойте на устойчивой опоре. Потеря равновесия во время работы может стать причиной серьезной травмы.
 - Не одевайте для работы излишне свободную одежду. Перед началом работы снимите ювелирные украшения. Если у Вас длинные волосы, спрячьте их под головной убор. Попадание краев одежды, ювелирных изделий и волос в движущиеся части изделия может привести к травме.
 - Если в изделии предусмотрено подключение пылесоса обязательно подключите его перед работой. Эффективное удаление пыли из рабочей зоны сделает работу более удобной и сохранит Ваше здоровье.

2. ОСНОВНЫЕ ТРЕБОВАНИЯ БЕЗОПАСНОСТИ

- 4) **Безопасное использование и хранение изделия**
- **Не перегружайте изделие.** Для каждого вида работ используйте только тот тип инструмента или оснастки, который для этого предназначен.
 - **Не используйте изделие с неисправным выключателем.** Если выключатель работает нечетко, и включение/выключение изделия затруднено, выключатель подлежит немедленной замене.
 - **Всегда отключайте изделия от сети перед тем как отрегулировать изделие или поменять оснастку.** Это поможет избежать случайного включения изделия во время работ по его обслуживанию.
 - **Храните изделие в месте, недоступном детям и лицам не имеющим навыков работы с изделием.** Лицо, ранее не работавшее таким типом инструмента обязано перед началом работы внимательно прочитать эту инструкцию полностью.
 - **Перед началом работы внимательно проверяйте состояние изделия: легкость перемещения подвижных частей, отсутствие повреждений корпусных деталей и оснастки.** Любая поврежденная часть изделия или оснастки должна быть заменена перед началом работы.
 - **Содержите режущую оснастку в чистом виде, хорошо заточенной и смазанной.**
 - **Используйте инструмент и оснастку только для производства тех видов работ, которые предусмотрены в инструкции по эксплуатации данного изделия.**
Использование изделия не по прямому назначению может привести к его поломке и травмам.
- 5) **Сервисное обслуживание**
- Ремонт изделия должен осуществляться в авторизованном сервисном центре, квалифицированным персоналом и с использованием только оригинальных запасных частей.**
- Использование при ремонте запасных частей не сертифицированных производителем данного изделия может привести к выходу изделия из строя и нарушению норм электробезопасности изделия.
- Дополнительные инструкции безопасности для Вашего миксера.**
- **Не используйте электроинструмент с поврежденным сетевым кабелем.** Если в процессе работы кабель был поврежден, не касаясь поврежденного участка, отключите изделие от сети. Поврежденный кабель увеличивает риск поражения электрическим током.
 - **При повреждение кабеля, ремонт должен осуществляться только в авторизованном сервисном центре.**
 - **Запрещается работать с материалами содержащими асбест.**
Мельчайшие частицы пыли при работе оказываются в воздухе и могут подвергнуть опасности Ваше здоровье.

3. СПЕЦИАЛЬНЫЕ ТРЕБОВАНИЯ БЕЗОПАСНОСТИ

СПЕЦИАЛЬНЫЕ ТРЕБОВАНИЯ БЕЗОПАСНОСТИ

Внимательно прочтите специальные требования по безопасной эксплуатации изделия:

- работайте изделием в устойчивом положении
- работайте изделием в специально отведенном для этого месте, без доступа посторонних лиц
- рабочее место должно быть хорошо освещено и обеспечено вентиляцией
- напряжение и сила тока в сети должна соответствовать напряжению, указанному на маркировочной табличке изделия
- не перегружайте изделие работая с объемами смесей, которые превышают максимальный объем, указанный в инструкции по эксплуатации
- проследите, чтобы при работе сетевой кабель не находился вблизи от вращающихся частей изделия
- после окончания работы не оставляйте изделие включенным в сеть
- не используйте для очистки изделия бензин и химические растворители
- не работайте изделием вблизи легковоспламеняющихся жидкостей и во взрывоопасной атмосфере
- не используйте при работе оснастку не предназначенную к эксплуатации с данным изделием, установка резьбовых переходников для использования смесителей не рекомендованных типов запрещена

Эксплуатация изделия ЗАПРЕЩЕНА:

- При повреждении шнура питания и штепсельной вилки
- При неисправном выключателе или его нечеткой работе
- При неисправном или нечетко работающем переключателе скоростей
- При образовании кругового огня на поверхности коллектора
- При вытекании смазки из редуктора
- При появлении дыма и запаха горячей изоляции
- При возникновении в процессе работы повышенного шума и вибрации
- При возникновении сколов и трещин на корпусных деталях изделия

ОПИСАНИЕ

1. Насадка смесителя
2. Шпиндель (резьба М14)
3. Электронный регулятор скорости (не показан)
4. 2-х позиционный переключатель скоростей
5. Фиксатор клавиши выключателя (не показан)
6. Клавиша выключателя
7. Корпус двигателя

РАБОТА**ПУСК - ОСТАНОВКА****Кратковременное приведение в действие**

Пуск: Нажать на выключатель (6).

Остановка: Выключатель (6) опустить.

Продолжительная работа

Пуск: Нажать на выключатель (6) и в этом состоянии застопорить кнопкой (4).

Остановка: Нажать на выключатель (6) один раз и сразу же отпустить.

РЕГУЛИРОВАНИЕ ОБОРОТОВ

Легкий нажим на выключатель (6) приводит в действие миксер на низких оборотах, которые плавно увеличиваются до максимальных при увеличении нажима на выключатель до достижения крайней позиции.

Выбор оборотов

Необходимая частота вращения можно задать предварительно, поворачивая диск регулятора (3) - поворот знака «+» для увеличения оборотов или поворот в направлении знака «-» для уменьшения оборотов.

Таким образом обеспечивается оптимальный режим работы.

Миксер снабжен двухскоростным редуктором.

ВНИМАНИЕ! Переключение скоростей осуществляют только при остановленной машине.

Поворачивая переключатель (4) на 180° можно выбрать один из двух скоростных диапазонов:

1-я скорость - 180-400 об/мин.

2-я скорость - 300-700 об/мин.

УСТАНОВКА / СМЕНА РАБОЧЕГО ИНСТРУМЕНТА

Отключить изделие от сети.

Зафиксировать шпиндель (2) от поворота ключом.

Насадку смесителя (1) завинчивать рукой по часовой стрелке.

Насадку смесителя (1) отвинчивать гаечным ключом против часовой стрелки, начиная резким движением.

Если шпиндель вращается вместе с мешалкой, застопорить шпиндель (2) используя дополнительный гаечный ключ.

ОБСЛУЖИВАНИЕ

Правильное обслуживание позволяет продлить срок службы изделия.

Перед началом работы проверьте правильность и четкость срабатывания всех функций выключателя.

Проверьте четкость срабатывания переключателя скоростей вращения.

Проверьте состояние вентиляционных окон на корпусе изделия, они не должны быть забиты пылью, прочистите окна перед началом работы.

Проверьте состояние штока смесителя, он не должен быть искривлен, крепежная резьба должна быть чистой и не иметь повреждений.

**Внимание!**

Обслуживание изделия неквалифицированными лицами может привести к нарушению норм электробезопасности изделия.

Все работы по ремонту и замене узлов должны проводиться в авторизованном сервисном центре.

ТЕХНИЧЕСКИЕ ХАРАКТЕРИСТИКИ

Модель	MX1600CE
Напряжение	220-240В ~50Гц
Потребляемая мощность	1600 Вт
Частота вращения без нагрузки	180-400/300-700 / мин.
Резьба смесителя	M14
Диаметр смесителя	135 мм
Вес изделия	5,4 кг.
Срок службы изделия	5 лет

Уровень шума (EN 60704):

А-взвешенный уровень звукового давления LpA - 87,6 dB(A), KpA - 3dB

А-взвешенный уровень звуковой мощности LwA - 98,6 dB(A), KpA - 3dB

Суммарные значения вибрации ah - 5,187 m/s², K - 1,5 m/s²

КОМПЛЕКТАЦИЯ

Миксер, ключ, смеситель, инструкция, упаковка.

Производитель оставляет за собой право изменять технические параметры изделия и его комплектацию без предварительного уведомления.